

Disassembly and cleaning instruction

Ratchet for HI LUBRICER[◊] and BICON-PLUS[◊]

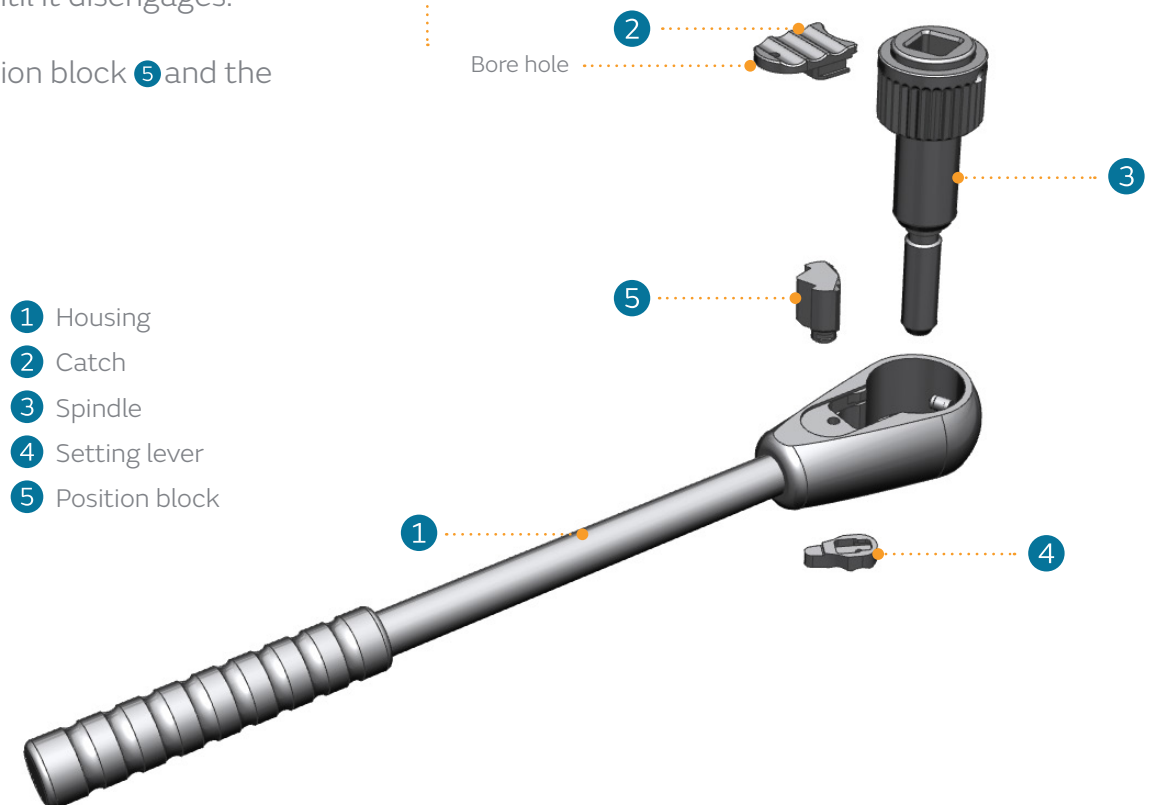
SAP/Art. No. 75003296/130543

Disassembly

- A) With a suitable tool (e.g. a thin pin), press the spring pin down through the catch ② and at the same time push the catch ② to the rear (direction "AUF"), until it comes loose.
- B) Remove the catch ② and the spindle ③.
- C) Press the spring pin down through the hole in the setting lever (R/L) ④ and at the same time push the setting lever (R/L) ④ in the direction "AUF" until it disengages.
- D) Remove the position block ⑤ and the setting lever ④.

Assembly

- A) As shown in the illustration, first put in the position block ⑤, then the spindle ③ into the housing ①.
- B) Insert the setting lever ④ on the opposite side, and push it in the direction "ZU."
- C) Insert the catch ② and slide it in the direction "ZU."



- ① Housing
- ② Catch
- ③ Spindle
- ④ Setting lever
- ⑤ Position block

Sterilization of the instruments

System components and instruments are not sterile when they are delivered. Before use they must be cleaned by the usual methods in accordance with internal hospital regulations and sterilized in an autoclave in accordance with the legal regulations and guidelines applicable in the relevant country. For detailed information please refer to leaflet "Processing (cleaning, disinfection and sterilization) of instruments" Lit. No. 03389.

